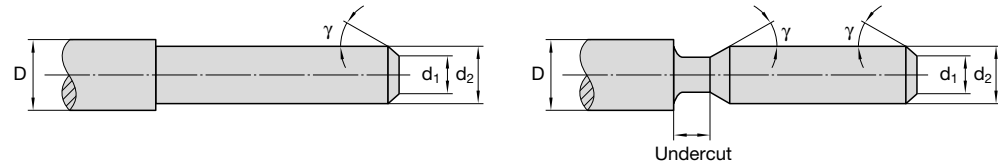


of the rolls (1 K = approx. 2.3 x pitch, 2 K = approx. 3.3 x pitch). The diameter d, must be below the root diameter of the thread. Also important is the accurate alignment of the head to the component.



Tolerance for the starting diameter:

Once the accurate starting diameter, determined by a test rolling operation, has been found, then this should be considered as the maximum dimension, if the thread has been rolled just up to its crest and the effective diameter is approx. at the maximum dimension within the permissible thread tolerance. Among others the tolerance of the starting diameter is depending to what extent the thread has been rolled to. As a guide for standard threads with tolerance class 6 g the following may be used: starting diameter tolerance \approx half effective diameter tolerance.

Rolling Speed:

According to component profile and spindle speeds available, the following rolling speeds are recommended:

for V-type threads approx.	20 – 60 m/min (65–200 ft/min)
for Acme-type threads approx.	15 – 30 m/min (50–100 ft/min).

The rolling speed is arrived at by figuring the same as for the cutting speed.

Rolling operation:

The feed rate of approach should be equivalent to the pitch of thread to be rolled. After engagement over 3–4 thread pitches, the head itself takes over the feed movement. The support respectively the adaptor sleeve should be set-up for easy movement in either direction at any rate.

Coolants and lubricants:

Recommended coolants and lubricants are those, which are also used for cutting operations, i. e. solutions with diluted ratio of 1:10 up to 1:20 – perhaps with high pressure additives – and thin cutting oils.

Possible errors to be made:

- Starting diameter selected too large or head setting was too small, that means an overload is generated, which in most cases may be seen at the thread end by building up a bead at the thread crests over approx. the width of the rolls.
- Chamfering (also at the undercut) is not in line with the rolling instructions.
- Setting for length selected Incorrect or component length varying (rolls are running against a shoulder).
- Jamming of the rolls or evidence of wear on the eccentric spindles caused by heavy dirt accumulated in the coolant.
- Unclean thread start and perhaps damage of the rolls caused by incorrect feed approach.
- Damage on the Rolls or rolling of two-start threads caused by incorrect assembly of the Rolls.
- Premature opening of the Rolling Head caused by wear on the Wedges for the Coupling (49) or the Dog Coupling (2). Wedges for the Coupling (49) can be used several times more by turning them around.



Fig. 1

Example of Assembly for Rolling Heads in “FU”-design

- Separate Parts to be assembled into groups (fig. 1). Apply ample grease to Ball Bearings to avoid drop out when putting into the Gear Ring (fig. 2). The gears on the Gear Sector then point to the centre.
- The gears are to be brought into engagement (fig. 3), attention is to be paid to uniformness and perhaps marking “0” is to be noted. Gearing to be brought into approx. centre position.
- Assembly group (fig. 3) to be put on Lower Assembly Group (fig. 4). The “0” marking has to be in the area of the Guide Scale. Care should be taken to ensure that there is no gap within the ball track, because otherwise the Ball Bearings could drop out.

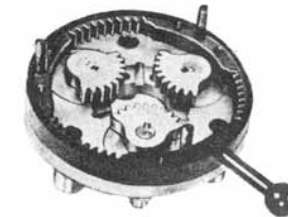


Fig. 2

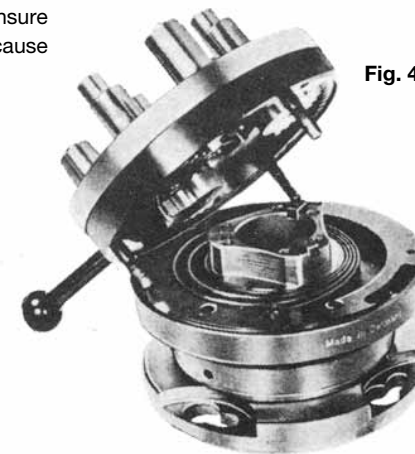


Fig. 4



Fig. 3



Printed in Germany, No. 0000 G (0111 1 DM/DH)

LMT FETTE Werkzeugtechnik GmbH & Co. KG
 Grabauer St. 24
 21493 Schwarzenbek
 Germany
 Phone +49 4151 12-0
 Fax +49 4151 12-3797
 www.lmt-fette.com

Rolling Head-Hotline +49 4151 12-391
 E-Mail-Hotline teamrollen@lmt-tools.com

Leading Metalworking
 Technologies

**BELIN
 FETTE
 KIENINGER
 ONSRUD**

in alliance
**BILZ
 BOEHLERIT**

www.lmt-fette.com

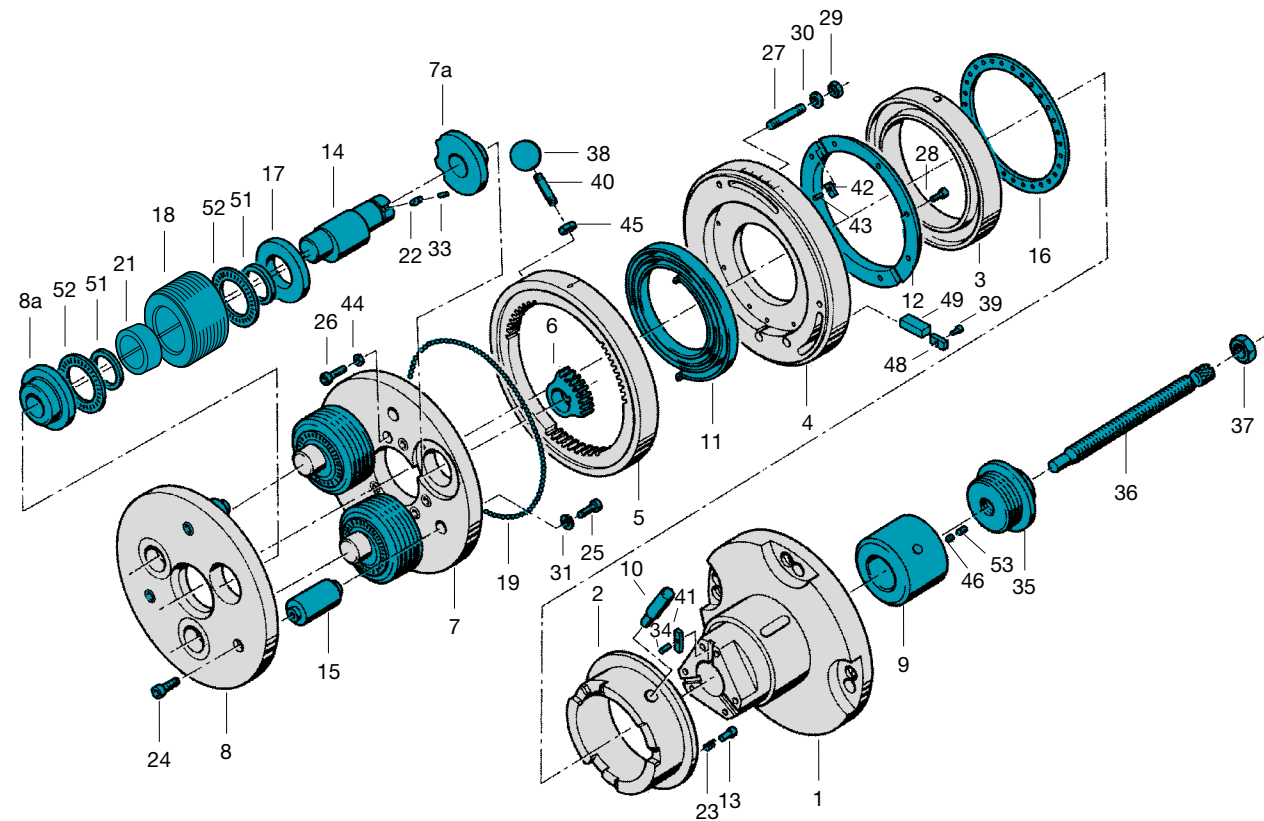
IMPORTANT:

In the case of re-ordering of Spare Parts, please state Rolling Head Type and Serial-No.

Please note marking on the Front Plate!

S = Special angle (example FU 56-1 S)
 L = Design for Left Hand Threads (example FU 56-1 L)
 SL = Special angle for Left Hand Threads (example FU 56-1 SL)
 X... = Special design (example FU 56-1 X101)
 Ke = Rolling Head for rolling of Serrations (example FU 56-1 Ke)

In case of re-ordering of Rolls, please state the Roll-Code-No., which is marked on the letter side of the Roll in addition to the dimension (e. g. for rolling head FU 56-1 e. g. FU 56-1/...!)

**Spare Parts**

No.	Pcs.	Description
1	1	Flange
2	1	Clutch
3	1	Operating ring
4	1	Spring housing
5	1	Gear ring
6	3	Gear sectors
7	1	Centre plate
7a	3	Centre plate bushing
8	1	Front plate
8a	3	Front plate bushing
9	1	Sleeve
10	3	Pin
11	1	Coil spring
12	1	Brake ring
13	4	Spring pin
14	3	Eccentric spindles
15	3	Spacer studs
16	1	Bearing cage
17 ²⁾	3	Washer
18	3	Thread roll
19	145	Steel ball
21	3	Carbide bushing
22	3	Fitting key
23	3	Pressure spring
24	3	Front plate screw
25	3	Cap screw
26	6	Cap screw
27	6	Stud
28	8	Cap screw
29	6	Hexagon nut
30	6	Washer
31	3	Lock washer
33	3	Shear pins
34	3	Roll pins
35	1	Stop screw body
36	1	Stop screw
37	1	Hexagon nut
38 ³⁾	1	Ball
39 ¹⁾³⁾	3	Cap screw
40 ³⁾	1	Handle
41	3	Fitting key
42	2	Fitting key
43 ¹⁾	2	Shear pins
44	6	Circlip
45 ²⁾³⁾	1	Hexagon nut
46 ²⁾	3	Set screw
48	3	Cover plate
49	3	Clutch wedge
51 ²⁾	6	Centering ring
52 ²⁾	6	Thrust bearings
53	3	Set screw

¹⁾ for FU 5-1

²⁾ for FU 56-1

³⁾ only for fixed application

Rolling Heads

FU 5-1, FU 56-1 (for fixed and rotating application)

Assembly of Thread Rolls:

Remove Front Plate (8), apply Molykote or similar lubricating agents to the Roll Bearing surfaces if possible. For type FU 56-1: Assemble thrust Bearings (52) together with the Centering Plates (51) and fix them to both sides of the Rolls. Assemble Rolls in the sequence as marked 1-2-3 or A-B-C in clockwise direction (for left hand threads in counter-clockwise direction). Insert Needle Roller Bearings (21), put on Front Plate and screw down tight.

Setting of the Rolling Head to thread diameter:

The Rolling Head has to be set to thread diameter when it is in closed position, that means this is done by turning the Gear Ring by means of Ball Handle (38) and the Dog Coupling (2) gets into locking position and there will be a wide gap between Flange (1) and Dog Coupling (2).

The 6 Hexagon Nuts (29) have to be loosened. By using a Setting Gauge, a Thread Sample or a Plain Plug having the root diameter of the thread to be rolled, the Gear Ring (5) is turned by means of Ball Handle (38) in such a way until the outside diameter of the Rolls touch in Setting Gauge. After that the Hexagon Nuts (29) are tightened up in some cases it may be necessary when setting that a slight correction has to be made on the guide scale towards minus. The accurate setting should be determined by test rolling! If the effective diameter reached is too big or too small then the head setting has to be corrected towards minus or plus. A rolled thread should never be overrolled a second time.

Setting of the Rolling Head to thread length:

The thread length is set basically when the Rolling Head is in opened position, to do this it is necessary that the Operating Ring (3) is pushed towards Flange (1). Between Flange (1) and Dog Coupling (2) there is now only a very small gap to be noted.

a) Opening by means of Internal End Stop:

Stop Screw (36) is to be set to the required thread length and is locked by Hexagon Nut (37). In doing this the length of the component extending beyond the clamped portion is of no importance in this case.

b) Opening by means of External End Stop over Operating Ring:

The thread length is set by an End Stop for use with an additional yoke, keeping the length of component extending beyond the clamped portion uniform. When the yoke touches the End Stop, the Rolling Head opens automatically.

Important: As opposed to opening by means of Internal End Stop it is in this case absolutely necessary to maintain uniform component length extending beyond the clamped portion, in case rolling is done against a shoulder or similar.

Closing of Head:

In case of fixed application the Rolling Head is closed by means of Ball Handle (38) and turning of the Gear Ring (5). In case of revolving application closing of the Rolling Head is accomplished by quick brake action in split second time, this is done by pushing the operating ring by means of the additional yoke against the Brake Ring (12).

Machining of the component:

Starting diameter d_2 to be thread rolled must be equivalent to the effective diameter. Deviations are possible, depending upon type of component material being used. The starting diameter arrived at now should never be increased. The components have to be chamfered under) $\gamma = 10^\circ - 25^\circ$ against the axis and must be concentric. An undercut at the thread run-out is not required. If an undercut is called for, the same should be chamfered according to sketch below. The width of the undercut depends upon the lead